

Zonix specification

Lightweight and stylish, James Tobias **Zonix** is designed and manufactured to enhance any interior environment.

Flexible and adaptable, Zonix is the perfect system for creating stunning display and storage space without building ugly, imposing barriers.

CONSTRUCTION

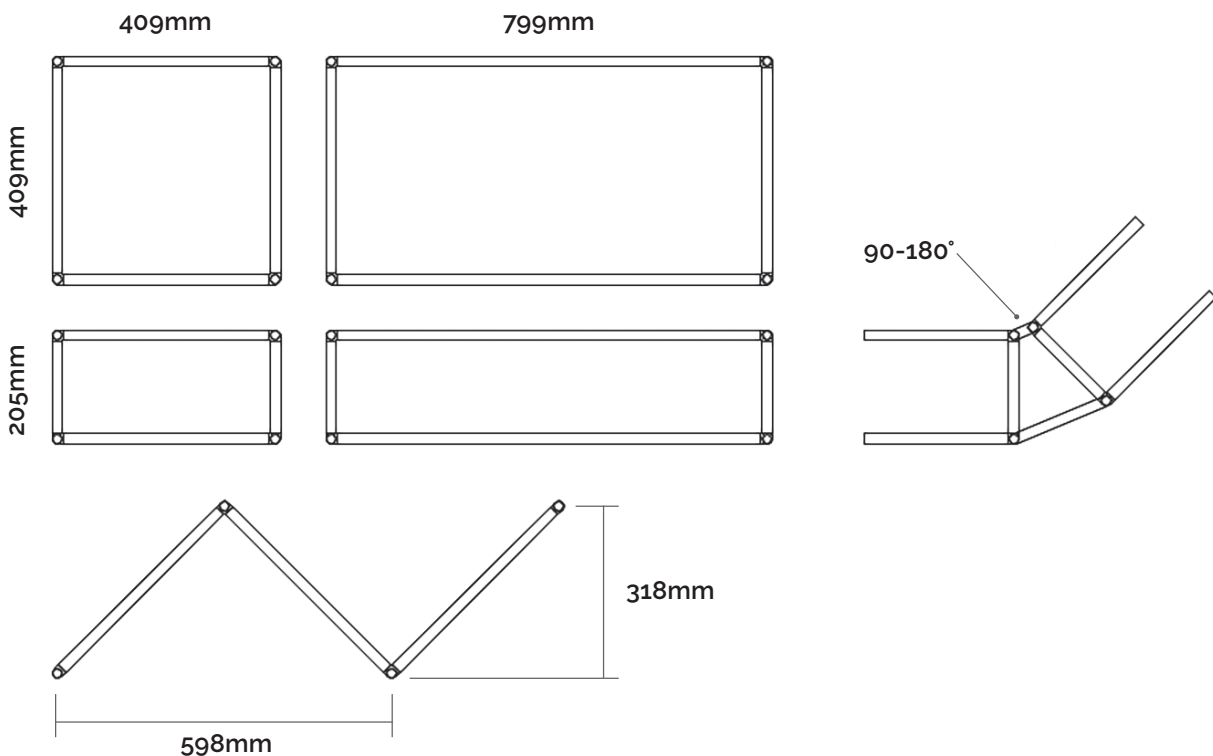
- Frame:** 19mm round or 25mm square box aluminium tube
- Connectivity:** Simple slot together system allows for future reconfiguration
- Base unit:** All 18mm mfc construction with 110° concealed hinges
- Levelling:** +/-10mm on the freestanding frame option

FINISHES

All mfc parts are available from our standard range.
All aluminium parts are powder coated Black (RAL 9005) as standard (other finishes available on request).

CONFIGURATION/SIZES

Zonix is ultra adaptable, making it the 'go-to' product for flexible, non-permanent interior storage and display schemes.



Please see overleaf for Zonix box insert sizes and styles

BOX INSERT SIZES/STYLES

Available as freestanding or worktop mounted, the box insert options include:

- Box insert:** 18mm mfc (no back or door)
18mm mfc open (with back, no door)
18mm mfc with matching door
18mm mfc with glass door



Box Open



Box Back Panel



Box Downlight



Box Wood Door



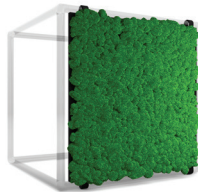
Box Glass Door

Face panel: 18mm mfc from our standard range (other finishes available on request).

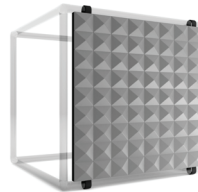
- Acoustic foam fabric wrapped
Moss
Dry wipe/gloss 18mm board



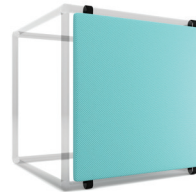
Wood Panel



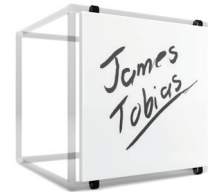
Moss Panel



Acoustic Panel



Fabric Panel



Gloss Panel

Shelves: 18mm mfc from our standard range (other finishes available on request).

- 6mm glass
1.2mm folded, powder coated steel



Wood Shelf



Glass Shelf



Steel Shelf



Light Bar

Additional lights and power options are available on request.